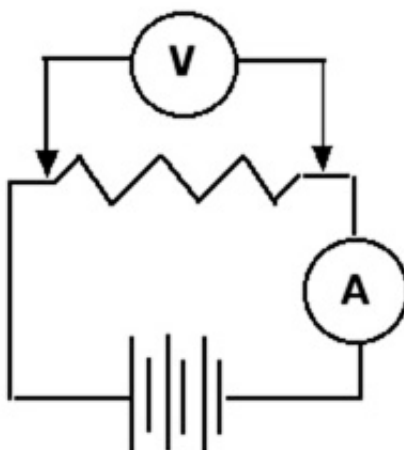


Lab: Resistance of Resistors

Name _____ Per _____

Purpose: To find the resistance of 5 resistors.

1. The Voltmeter is always **across** the load.
2. The Ammeter is always **IN** the circuit, **NEVER** across the circuit or onto the battery!!!!
3. Quick test the meters to be sure they are connected OK.
4. Disconnect power when not reading meters.
5. Using the circuit below, measure the volts and amps through each of the five resistors.



6. Showing method, calculate the ohms of each resistor on the back.

Resistor Color & Resistance	..Volts..	..Amps..	..Ohms..
Green (1 ohm)	.	.	.
Grey (2 ohms)	.	.	.
Black (3 ohms)	.	.	.
Yellow (4 ohms)	.	.	.
Red (5 ohms)	.	.	.

7. How do your results compare to the values of the resistors and why is there any discrepancy?

.

8. Critique: