

BLITZ: Ch 17-20 DC, Electricity Form I-L

Name _____ Period _____

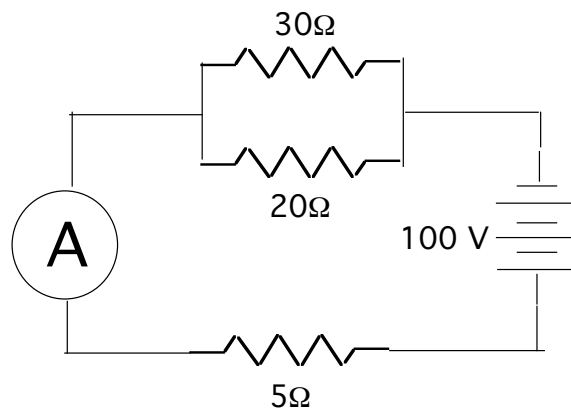
EXPLAIN IN COMPLETE SENTENCES AND GIVE EXAMPLES:

You MUST HAND WRITE THIS EXAM!! NO TYPED PAPERS WILL BE ACCEPTED!
Math problems must SHOW THE METHOD OF SOLUTION (Hup, two, three, four).

1. Explain the Volta's Hailstorm.
2. Tell how each of FOUR factors determine the resistance of a wire.
3. Define coulomb, volt, ampere, ohm, watt, farad, mho.
4. Tell how each of THREE factors determine capacitance.
5. Describe FIVE methods of producing EMF.
6. Explain how a capacitor stops DC but "passes" AC.
7. Explain how the capacitor microphone works.
8. Explain charging an electroscope by contact and by induction.
9. What is a variable capacitor, how does it work, and for what is it used?
10. Explain why an electric stove does not continue heating until it melts.
11. Explain just what happens when Kiiiiittty meets a comb, and what causes neutral, negative, and positive charges.
12. Using the procedures in sample problems found in the notes, find the value of a resistor needed to operate a 2 volt, 5 watt lamp on a 20 volt battery.

Using this diagram, FIND:

13. R (parallel)
14. R (total)
15. I (total)
16. V (5 ohm)
17. V (parallel)
18. I (20 ohm)
19. I (30 ohm)
20. Total Power



Staple this exam on top of your papers and turn in by the due date.